

API are counted amongst the reckoned names in the industry engaged in manufacturing and exporting wide range of VLOM India Mark III Deep Well Hand Pumps. In different grades (Including as per IS standard) and dimensions.

API MAKE VLOM INDIA MARK-III DEEPWELL HAND PUMP

SALIENT FEATURES:

- 125 mm stroke length of the handle provides a water discharge of 17 liters per hour with the cylinder installed in the range of the 15 m to 45 m below-ground level.
- The water tank assembly has the appropriate coupler to suit 65 mm or 50 mm NB GI riser pipes. A special cone plate with rubber cone is available for installation of μ PVC / HDPE / FGP riser pipes. The cone plate and cone can also be used to reduce stresses on the GI riser pipe joint to the water tank.
- The Cylinder incorporates an open top cap and suitable plunger and check valve assemblies to facilitate their removal for maintenance without the need to lift the riser pipes out of the borewell.
- Cylinder is adaptable for use with Universal Cylinder components.
- Easy to install up to depths of 30 meters. Use of a tripod and chain pulley block is recommended beyond this depth, if GI Riser Pipes are opted.

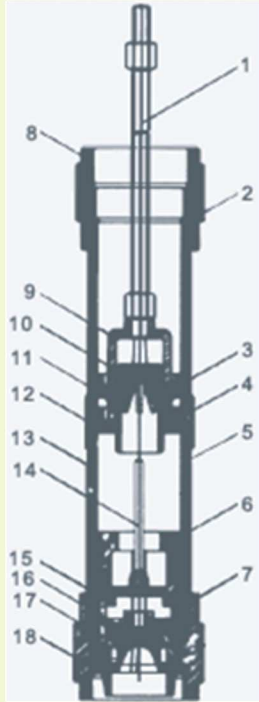


TECHNICAL DETAILS:

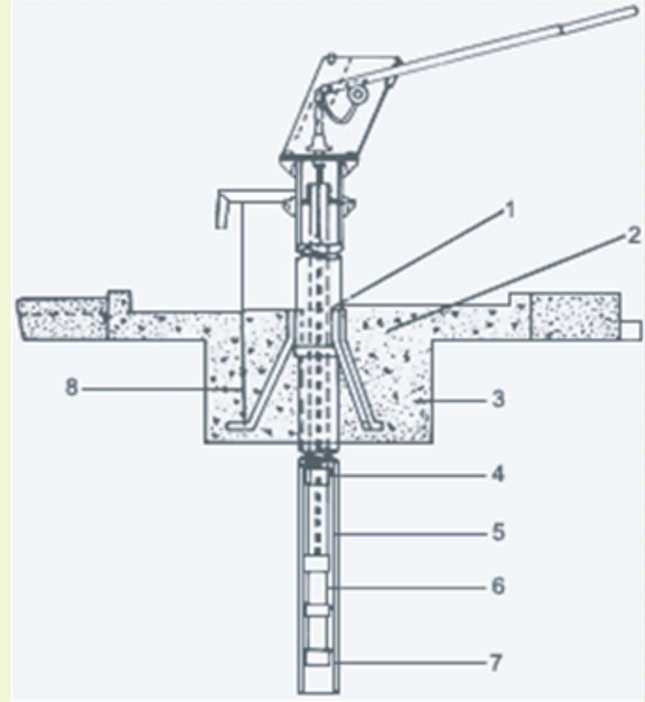
CYLINDER	: Direct action reciprocating
RECOMMENDED FOR WATER LEVEL SETTING DEPTH (METERS)	: 20-45
MINIMUM ID OF BORE (MM)	: 100
APPROXIMATE DISCHARGE (LITERS/HOUR)	: 600

CONSTRUCTION:

- HEAD ASSEMBLY:** Material of construction is same as in the Standard Pump but has a hole of 75mm dia. in the bottom flange. Additional 6 mm Plate with 15 mm height collar and guide bush welded is supplied for easy removal of chain assembly during maintenance.
- HANDLE:** Made from 32 mm Square Mild Steel Bar. Length: 1170 mm.
- CHAIN ASSEMBLY:** 7 Pitch Chain Assembly welded with M12 Internal Threaded Coupler.
- FRONT COVER:** Made from 2 mm CR Sheet.
- WATER CHAMBER:** Same as Standard but welded with Riser Pipe Holder made from Seamless Tube to hold 65 mm. NB Riser Pipes.
- STAND:** The Stand Flange is made from 6 mm thick MS Plate. The Pipe used is 150 mm NB Medium Class Pipe for Normal Stand and for Telescopic Stand the Pipe used is 150mm NB, 175mm NB Medium Class. The Angles are 40 x 40 x 6 mm.
- CONNECTING ROD:** 12 mm dia. MS Bright Rod in 3 meter length welded with M12 X 50 and M12 X 20 Internal Threaded Coupler. There are several options like Mild Steel (Electro-Galvanized), Stainless Steel & GFRP (Glass Fiber Reinforced Plastic) Connecting Rods are made exclusively by us as a result of our dedicated R&D.
- CYLINDER:** 63.5 mm. I.D. Cast Iron or μ PVC Cylinder with Brass Liner with Top Cap suitable to be connected to 65MM NB Pipe and Bottom Cap suitable to receive pick up Foot Valve Plunger with two Nitrile Cup Washers, Plunger with Extended Thread arrangement to pick up the Foot Valve (Check Valve) and tripping the water while extraction of Plunger and Check Valve Assembly without removal of the 65MM. NB. G.I. Riser Pipes. Plunger Rod made of Stainless Steel. The Upper Valve will be of two pieces. Cylinder can also be supplied in PVC. This PVC cylinder, while imparting the same functions, as that of Cast Iron Cylinder is also lightweight thereby providing ease of handling and enhances the life of the Riser Pipe.



2 ½ Open top Cylinder Assembly with Extractable Check Valve



Installation Details of Modified "VLOM" India Mark III Deep well Hand pump with open top Cylinder

Sl. No.	PART DESCRIPTION	MATERIAL	Sl. No.	PART DESCRIPTION
1.	PLUNGER ROD	STAINLESS STEEL	1.	INSTALLATION MARK
2.	SEALING RING	CAST IRON	2.	FOUNDATION
3.	UPPER VALVE GUIDE	LEATHER	3.	CEMENT CONCRETE MIX 1:2:4
4.	PUMP BUCKET	GUN METAL	4.	COUPLER
5.	BRASS LINER	RUBBER	5.	RISING PIPE
6.	CHECK VALVE BODY	GUN METAL	6.	CYLINDER ASSEMBLY
7.	REDUCER CAP	GUN METAL	7.	CASING PIPE
8.	O RING	NITRILE RUBBER	8.	SPOUT MUST BE OVER A LEG
9.	TOP COUPLER	GUN METAL		
10.	PLUNGER YOKE BODY	BRASS		
11.	RUBBER SEATING (TOP)	CAST IRON		
12.	SPACER	GUN METAL		
13.	EXTENDED FOLLOWER	STAINLESS STEEL		
14.	CYLINDER BODY	CAST IRON		
15.	RUSH ROD WITH CHECK NUT	GUN METAL		
16.	RUBBER SEAT RETAINER	RUBBER		
17.	RUBBER SEATING (BOTTOM)	GUN METAL		
18.	CHECK VALVE GUIDE	RUBBER		